

## Summary

- 80 by 60 IR pixel thermal image camera
- Rugged light weight construction
- Compensated to 80 C
- Resolution 0.2°C
- Designed for Tyre Temperature measurement
- CAN bus communication protocol @1Mbit/s
- 0°C to 200°C measurement range at 1meter
- Built in flash drive 16 gig for recording
- Programmable CAN ID
- Programmable modes of operation via CAN
- Built in real time clock
- Beacon start stop control via CAN
- 12 hours recording time
- optional USB download (extra two wires in the cable)

Revision:	Date:	Summary of Changes:	Author:
1.3	29/08/2015	Single row of 80 pixels added	SB

<b>Electrical connection</b>	
CAN connection	Wire Colour
CAN HIGH	YELLOW
CAN LOW	BLUE
5V	RED
GND	BLACK

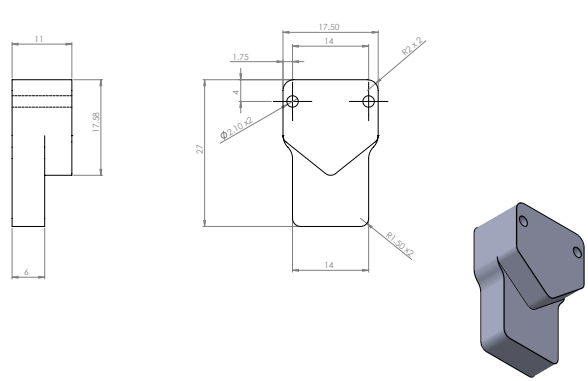
Table 2. Electrical Specifications

<b>Electrical</b>	
Supply Voltage	5-16V DC
Current Consumption	<40mA
Pixel Sampling Rate	9Hz Standard
CAN ID	Programmable
Distance Calibration	Up to 1100mm

Table 3. Environmental Specifications

<b>Environmental</b>	
Supply Voltage	5-18V DC
Current Consumption	<40mA
Vibration	9g 100-1000Hz 24hrs
Media	Resistant to most motorsport fluids
Compensated Range	25°C to 80°C Max

Table 4. Electrical Harness Identification

<b>Mechanical</b>	
Weight	20 Grams with 1 meter cable and connector
Material	Aluminum
Cable	Flying lead 28 gauge
FOV	50 degrees / 25 degrees  
<b>MODES OF OPERATION</b>	
80 by 60	6 HZ all pixels via CAN output
80 by 60	logged to flash memory 9 HZ
80 by 1	9 Hz CAN output

